

4" MANUAL SQUEEZE-OFF!



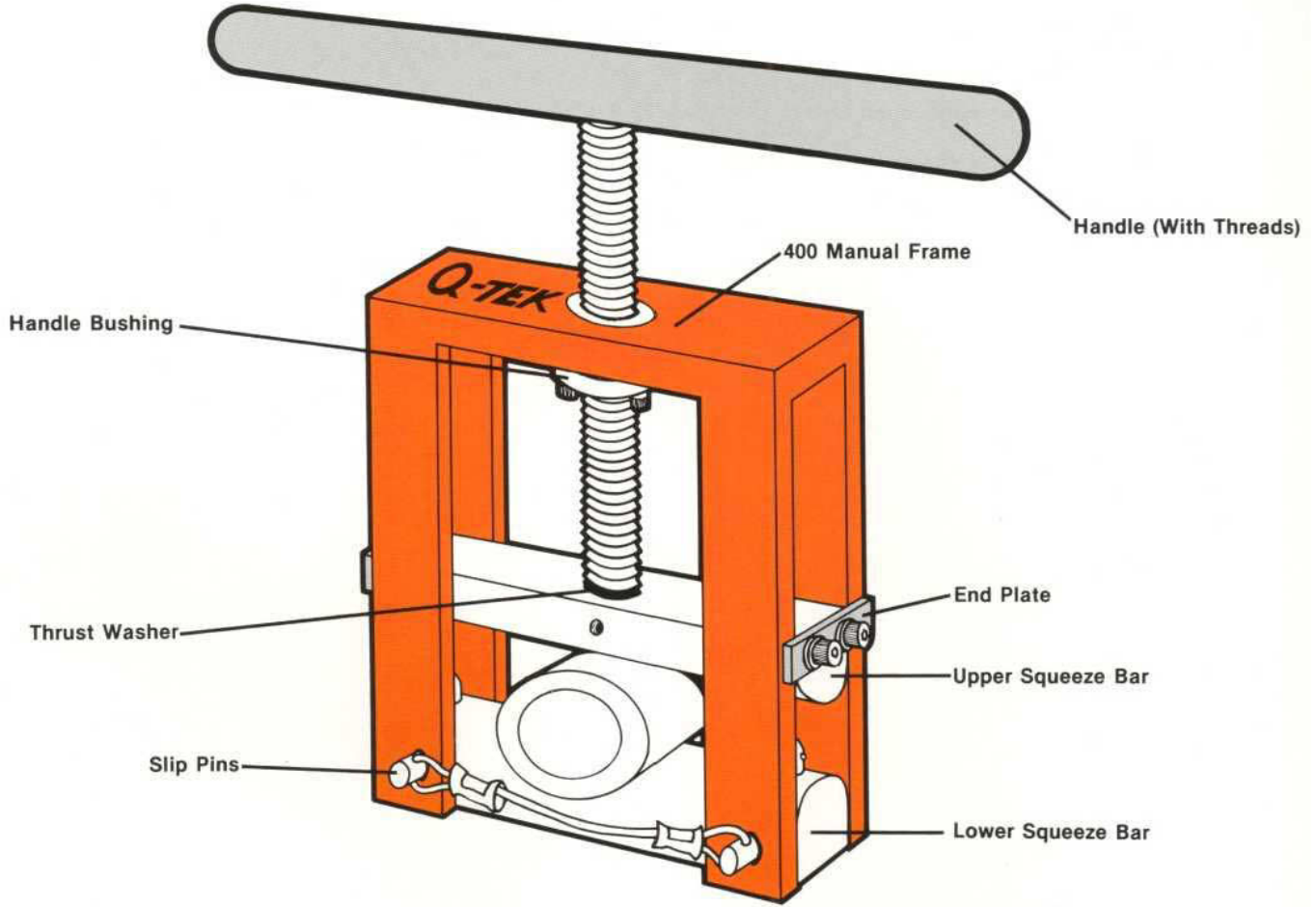
Q-TEK[™]
MODEL 400
PIPE CHOKE TOOL

MODEL 400 MANUAL PIPE-CHOKE™

Q-TEK's model 400 Manual Pipe-Choke offers squeeze-off capabilities from 1¼" to 4" IPS polyethylene pipe. The model 400 Manual weighs only 20 lbs. and is built for years of maintenance free, reliable service.

Stop blocks are available for all polyethylene pipe sizes and SDRs to ensure proper squeeze-off with minimal pipe damage.

Grounding straps are available for all Q-TEK Pipe-Choke machines.



MODEL 400 MANUAL PIPE-CHOKE™ EQUIPMENT PARTS

PART DESCRIPTION	QUANTITY	PART #
400 Manual (complete)	1	P237
Thrust Washer	1	P210
Upper Pipe-Choke Squeeze Bar	1	P207
Lower Pipe-Choke Squeeze Bar	1	P231
Upper Pipe-Choke Squeeze Bar End Plates	2	P252
Handle Bushing	1	P248
Slip Pins	2	P212
Handle (with threads)	1	P223
400 Manual (frame only)	1	P269
Static Ground Strap	1	P299



1309 Main Street Crescent, PA 15046 Fax 724-457-1200 724-457-6193 1-800-258-7899

Visit our web site: www.qtekttools.com