

PRECISE FUSION UP TO 8"



Q-TEK
SADDLE FUSION
MACHINES

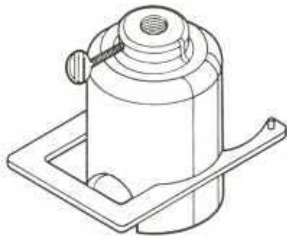
MODEL 864 SADDLE FUSION MACHINE

Q-TEK's model 864 saddle fusion machine is designed for use with 4" to 8" IPS polyethylene pipe. Available in two different top frame models and spindle pressures, the model 864 is built for years of accurate, dependable service.

All Q-TEK liners and tapping tees are interchangeable on all Q-TEK saddle fusion machines. Holders are available for Branch saddles and Multi-saddles (sizes must accompany order).

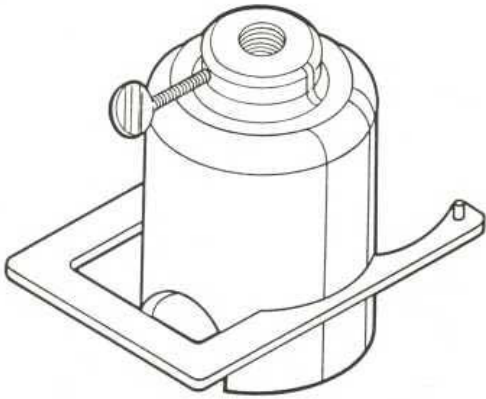
HEATING IRON REPAIRS AND SERVICES ARE AVAILABLE.

PART DESCRIPTION	PART#
Model 864 with Standard 10" Top Frame w/Top Read Spindle (0-150 lbs.)	S028
Model 864 with High Volume 16" Top Frame w/Top Read Spindle (0-150 lbs.)	S042
Model 864 with High Volume 16" Top Frame w/High Pressure Top Read Spindle (0-340 lbs.)	S093



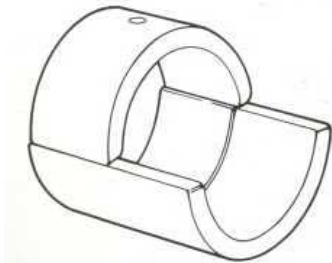
TAPPING TEE HOLDERS

#250	Plexco/Central/Phillips (2 1/2" OD Cap)
#251	Dupont
#252	Continental
#253	Rahn
#255	Phillips Drisco



HIGH-VOLUME TEE HOLDERS

#HV250	Plexco/Central
#HV251	Dupont
#HV255	Phillips Drisco



LINERS

From - 2" IPS OD to 1 1/4" IPS OD
From - 3" IPS OD to 2" IPS OD
From - 4" IPS OD to 2" IPS OD
From - 4" IPS OD to 3" IPS OD
From - 6" IPS OD to 4" IPS OD
From - 8" PS OD to 6" IPS OD

